



GV TROUGHS

LARGE DRAIN STAINLESS STEEL TROUGHS

Indoor Drinking Systems

Stainless steel is often chosen for its sturdiness and hygienic qualities. However, the troughs still have to be cleaned regularly.

To make this job easier and to be able to always supply clean water to the herd, the GV drinkers have an inclined tub in one piece and an exclusive large drain that keeps your hands dry.



SATISFYING THE IMPORTANT WATER NEEDS OF DAIRY COWS

Your cows must have the best possible access to water. The large GV drinkers made of stainless steel and their valves with high flow rate offer a natural way of drinking that is much appreciated by your cattle.

- For these large troughs you have to provide 60 linear cm per water point.
- A cow kept inside should never have to walk more than 20 m to find a water point.



The GV 150, 230, 300 and 460 have a valve with a flow rate of 72 l/min (at 3 bars). This output matches the needs of cows leaving the milking parlour or after being fed.

This valve can be connected to a circulation system with extra accessories.



The seamless GV drinkers can be mounted on the wall or on feet.

There are several possibilities to protect the valve from frost (see following pages).

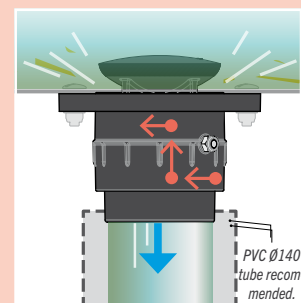
PERIODIC EMPTYING TO ALWAYS SUPPLY CLEAN WATER

Cattle can detect a content of 0.05 g dung per litre of water (Willms, 2002). When the concentration reaches 2.5 g/l, the water consumption is affected and as soon as it is over 5 g/l the ingestion of dry matter is also reduced. Therefore, it is recommended to drain and clean the drinking troughs at least once a week. The GV drinking troughs make this job easier.

EASY AND EFFICIENT Ø100 MM "DRY-HANDS" DRAIN

The drain plug of the GV trough is operated from below the trough in 3 movements:

- 1: Turn the ring to unlock,
- 2: Lift the ring,
- 3: Turn to lock it in top position.



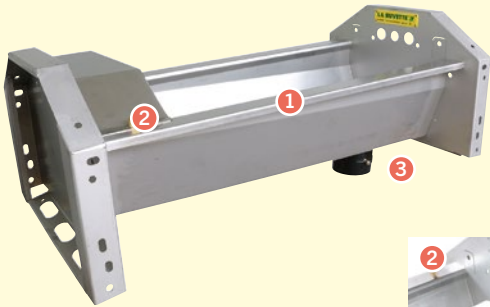
Watch footage of the installation tutorial on [facebook/labuvette.bovin](https://www.facebook.com/labuvette.bovin)

GV110

Compact stainless steel trough with large drain.

Suitable for up to 2 cows drinking at the same time.

For wall mounting, but can be installed on floor with feet (see accessories).

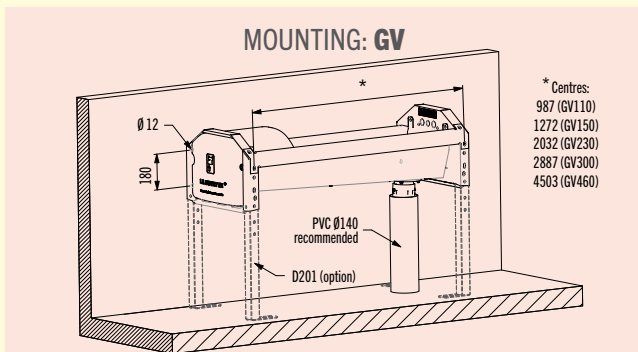


 32 l/mn at 3 bars

L. 1056 x W. 548 x H. 443 mm (41.6" x 21.6" x 17.4")

- 1 Stainless steel trough of 57 litres linking sturdiness and food safety. With slanted bottom for easier cleaning and specially folded non-spill edge to minimize water loss and avoid splashing. Only 105 cm long: can easily be installed instead of a cubicle or between two rows of cubicles
- 2 Compact valve protected by a stainless steel cover that can be removed without tools (brass elbow, 1/2" M supplied. Stainless steel braided hose sold separately ref. A452)
- 3 "Hands dry" Ø100 mm drain plug.

REF.	DESIGNATION
2412	Rapid-drain trough GV110 - 57 L - 32 l/min (3 bars)



DID YOU KNOW ?



"Hands dry" Ø100 mm drain plug:

LA BUVETTE's GV range is equipped with an exclusive quick drain system. The plug is opened and closed in only one movement from below the trough without getting your hands wet. Simple system that can be locked without the use of tools. Can still be used when it is freezing.

A Ø 140 mm PVC tube can easily be connected to the drain hole to channel the water.

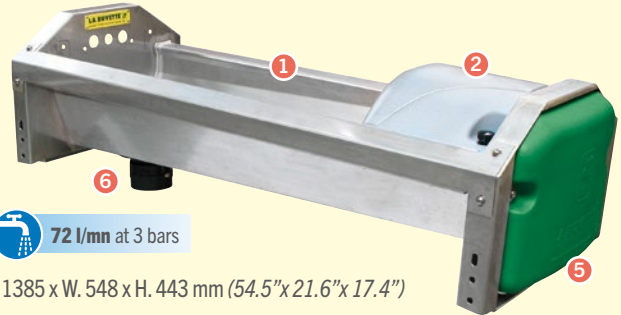
Also on MICHIGAN DUO and BAÏKAL 230.

GV150

Stainless steel trough with large draining.

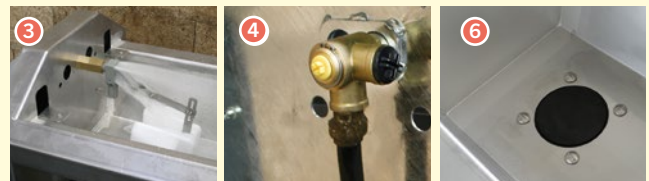
Suitable for up to 3 cows drinking at the same time.

For wall mounting, but can be installed on floor with feet (see accessories). Several frost protection set are available (see Frost protection page 35).



 72 l/mn at 3 bars

L. 1385 x W. 548 x H. 443 mm (54.5" x 21.6" x 17.4")



- 1 Stainless steel trough of 66 litres linking sturdiness and food safety. With slanted bottom for easier cleaning and specially folded non-spill edge to minimize water loss and avoid splashing.
- 2 The valve is protected against the animals by an insulating double-walled HD-Polyethylen cover also serving as a first protection from frost.
- 3 72 l./mn. valve (measured flow rate at 3 bars) with water shut off pin
- 4 3/4" swivel fitting with 2 entries: can be connected to a SPEED-FLOW circulation pump (p. 20) without extra accessories.
- 5 A second HDPE side plate avoids all contact between the animals and the water supply. Its insulating capacity protecting it from frost. It also houses the electrical connection of the antifreeze sets.
- 6 Draining system Ø 100 mm accessible from below: Hands are kept dry.

REF.	DESIGNATION
2409	Rapid-drain trough GV150 - 66 L - 72 l/min (3 bars)

GV230

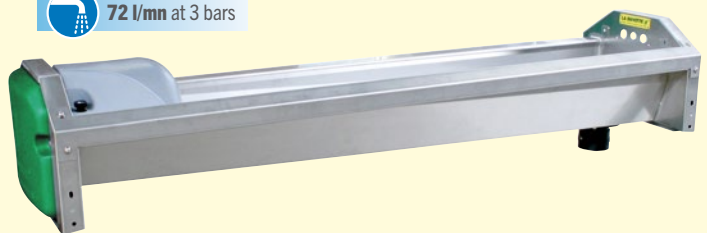
Stainless steel trough with large draining.

Suitable for up to 4 cows drinking at the same time.

Same specifications as GV150. Capacity 112 litres.



 72 l/mn at 3 bars

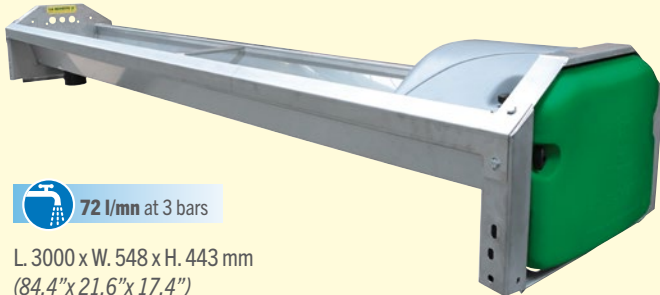


L. 2145 x W. 548 x H. 443 mm (84.4" x 21.6" x 17.4")

REF.	DESIGNATION
2410	Rapid-drain trough GV230 - 112 L - 72 l/min (3 bars)

GV300

Stainless steel trough with large draining.
Suitable for up to 5 cows drinking at the same time.
 Same specifications as GV150. Capacity 144 litres.



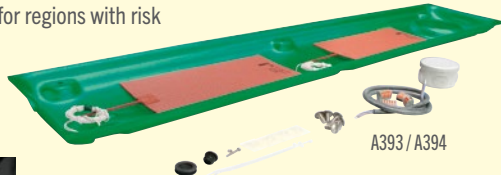
72 l/mn at 3 bars

L. 3000 x W. 548 x H. 443 mm
 (84.4" x 21.6" x 17.4")

REF.	DESIGNATION
2411	Rapid-drain trough GV300 - 144 L - 72 l/min (3 bars)

+ FROST PROTECTION

Anti-freeze power set for the trough:
 2 heating elements of 24 V - 175 W glued under the stainless steel trough. The polyethylene cover optimizes the heat transfer to the trough. Set recommended for regions with risk of high frost.



A393 / A394



A395

Anti-freeze power set for the valve:
 24 V - 20 W heating element to insert into the valve: recommended for risk of **low** (alone) or **high frost** (combined with trough anti-freeze set).

Anti-freeze power set for the water supply
 24 V - 22 W heating wire to protect up to 1,50 m of pipe (loop connection).

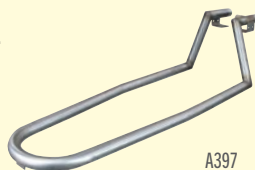


C162

Transformer 230/24 V is required (delivered separately, see Accessories).

REF.	DESIGNATION
A393	Power set for GV150: 24 V / 350 W (2 x 175 W)
A394	Power set for GV230, GV300 and GV460: 24 V / 350 W (2 x 175 W)
A395	Heating element: 24 V / 20 W
C162	Heating cable 24 V / 22 W - Length: 3 m, to protect water supply.

Anti-freeze circulation set for the trough.
 Recommended for risk of **low frost**. SPEED-FLOW circulation pump and THERMOFLOW heater, p. 20-21.



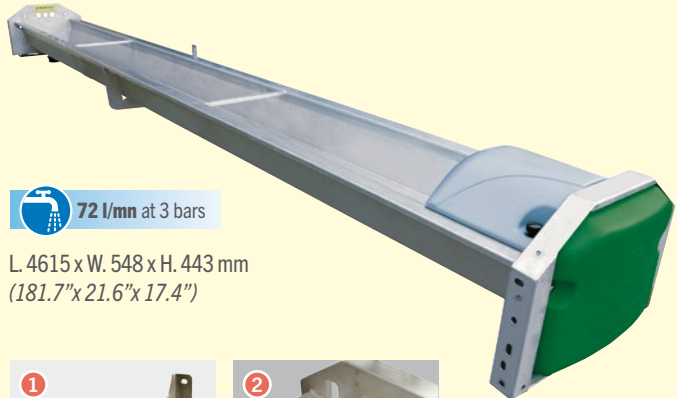
A397

REF.	DESIGNATION
A397	Circulation set for GV150, GV230 and GV 300

GV460



Stainless steel trough with large draining.
Suitable for up to 8 cows drinking at the same time.
 Same specifications as GV150. Capacity 200 litres.
 Ideal in the passageways between the cubicles and at the exit of big milking parlours.



72 l/mn at 3 bars

L. 4615 x W. 548 x H. 443 mm
 (181.7" x 21.6" x 17.4")



- 1 Central reinforcement to be mounted on a wall or post (mandatory).
- 2 The GV460 can be connected to the lukewarm water of the milk pre-cooler by means of a supplementary A615 (see "DID YOU KNOW").

REF.	DESIGNATION
2413	Rapid-drain trough GV460 - 200 L - 72 l/min (3 bars)

+ ACCESSORIES



D201

A615

A502

A532

REF.	DESIGNATION
D201	Set of galvanised feet
A615	Extra low pressure float valve for drinker GV150/230/300/460
A502	Transformer 230/24 V - 400 VA for GV with power set
A532	Remote thermostat for frost-free electric drinkers: for automatic on/off switching with outside sensor - in watertight cabinet (Max. capacity supported 1200 W)



DID YOU KNOW ?

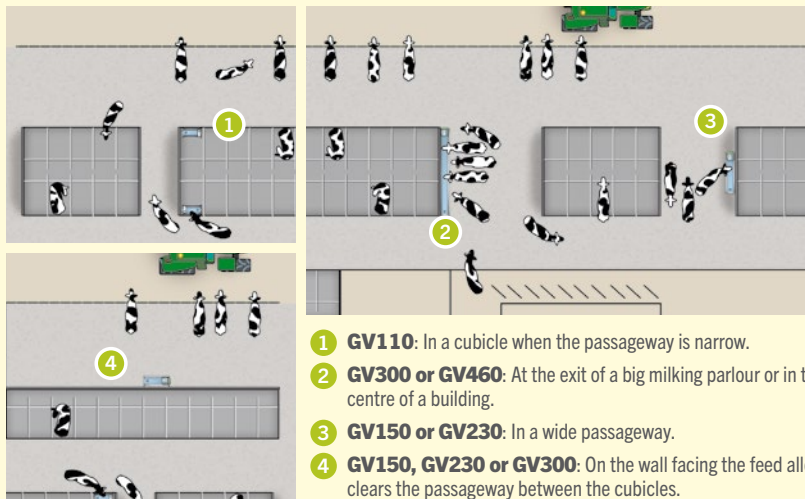
The A615 extra low pressure valve allows you to use the GV150, GV230, GV300 and GV460 drinker to supply heated water from the milk pre-cooler. The water must first be kept in an elevated tank. The heated water shall first be supplied to the drinker. The high flow valve remains functional and takes over as soon as the storage tank is empty.

5 LARGE STAINLESS-STEEL DRINKING TROUGHS WITH LARGE DRAIN AND A LENGTH OF 1.10 TO 4.60 M

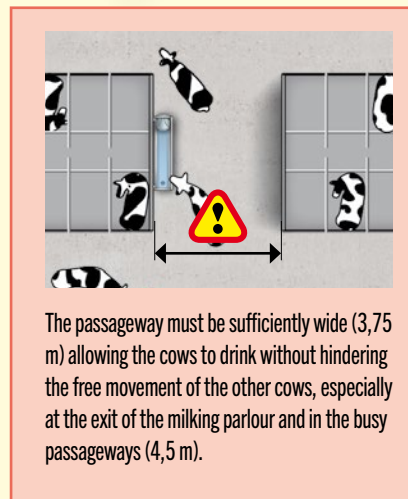


From the smallest GV100, which is ideal in the holding area of buildings with a milking robot and when it is necessary to give up a cubicle for the installation of a drinker to the longer GV300 and GV460 troughs that are perfect at the exit of the milking parlour, all GV drinking troughs can be mounted on the wall or on optional feet.

EXAMPLES OF ARRANGEMENT



- 1 **GV110**: In a cubicle when the passageway is narrow.
- 2 **GV300 or GV460**: At the exit of a big milking parlour or in the centre of a building.
- 3 **GV150 or GV230**: In a wide passageway.
- 4 **GV150, GV230 or GV300**: On the wall facing the feed alley: clears the passageway between the cubicles.



The passageway must be sufficiently wide (3,75 m) allowing the cows to drink without hindering the free movement of the other cows, especially at the exit of the milking parlour and in the busy passageways (4,5 m).

