

# F130 INOX

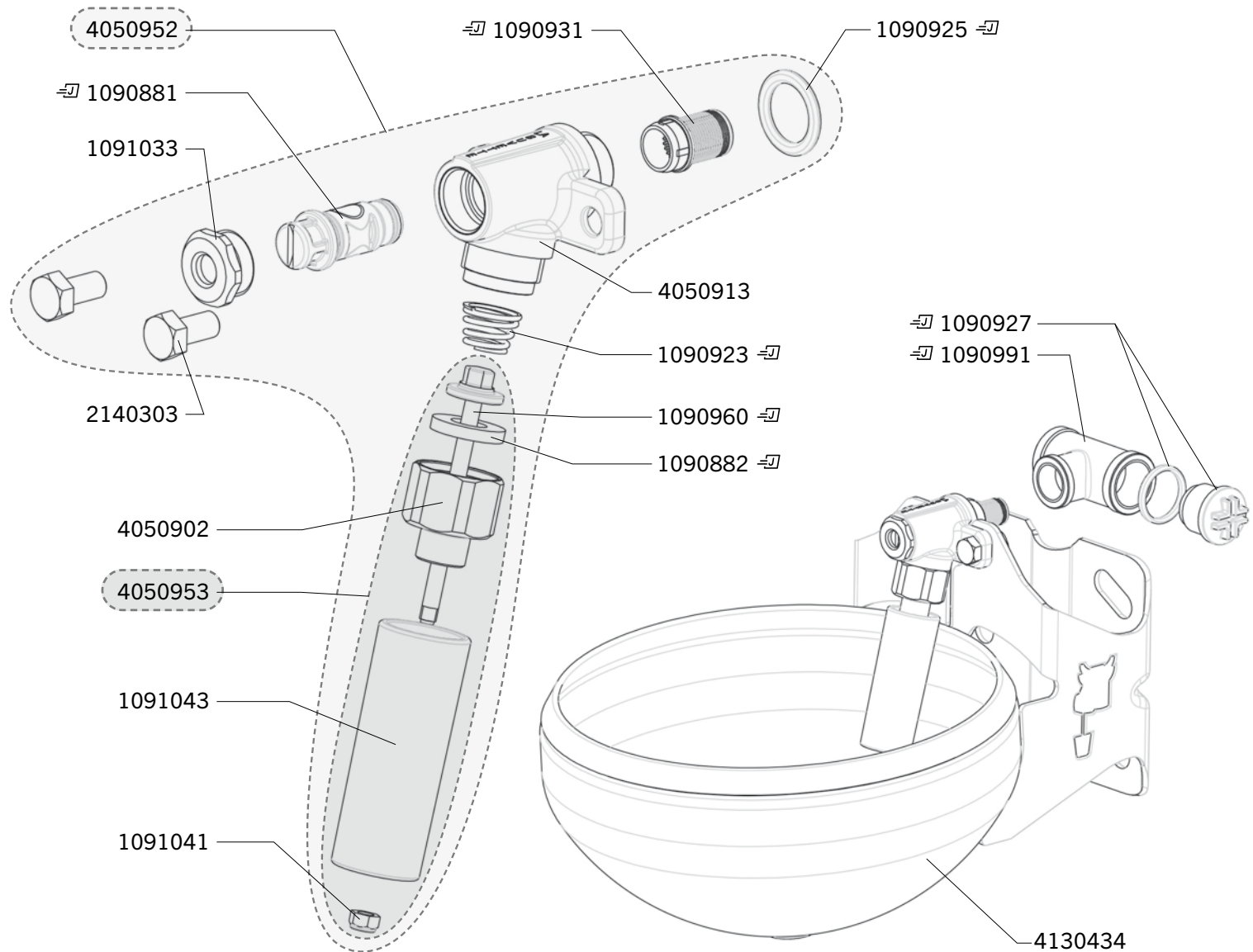
Ref. 3217



Exploded views of old versions of this model and of all others old LA BUVETTE models are available on [www.labuvette.com](http://www.labuvette.com).



Ship.	Code	Designation
⇒	1090881	FLOW ADJUSTMENT SCREW F 30 (X3) BLISTER PACK
⇒	1090882	VALVE SEAL F 30 (X5) BLISTER PACK
⇒	1090923	5 SPRING F30/60/FORSTAL BLISTER PACK
⇒	1090925	5 O RING BLISTER PACK
⇒	1090927	3 PLUG/WASHER 3/4 " BLISTER PACK
⇒	1090931	5 FILTERS F30/60 BLISTER PACK
⇒	1090960	VALVE SCHAFT F30/60/110-BLISTER
⇒	1090991	STAINLESS STEEL 3/4" T-FITTING FOR F25-30-40-60
J+5	1091033	5 STAINLESS STEEL PLUGS
J+5	1091041	BAG WITH 10 STAINLESS STEEL BLIND NUTS H5
J+1	1091043	2 PLASTIC PUSH RODS F30/FORSTAL
J+5	2140303	SCREW TH 8X16 SSTEEL
J+5	4050902	UNDER PART OF THE VALVE STAINLESS STEEL
J+5	4050913	STAINLESS STEEL BODY VALVE
J+1	4050952	COMPLETE VALVE F30 STAINLESS STEEL
J+5	4050953	VALVE UNDEPART F30 STAINLESS STEEL
J+5	4130434	BOWL F 130 STAINLESS STEEL



Shipping time in working days (running out of stock excepted), spare parts tagged with a ⇒ (J) are dispatched the same day if order received before noon and made of parts tagged with ⇒ (J) exclusively.

Digital version up to date:

