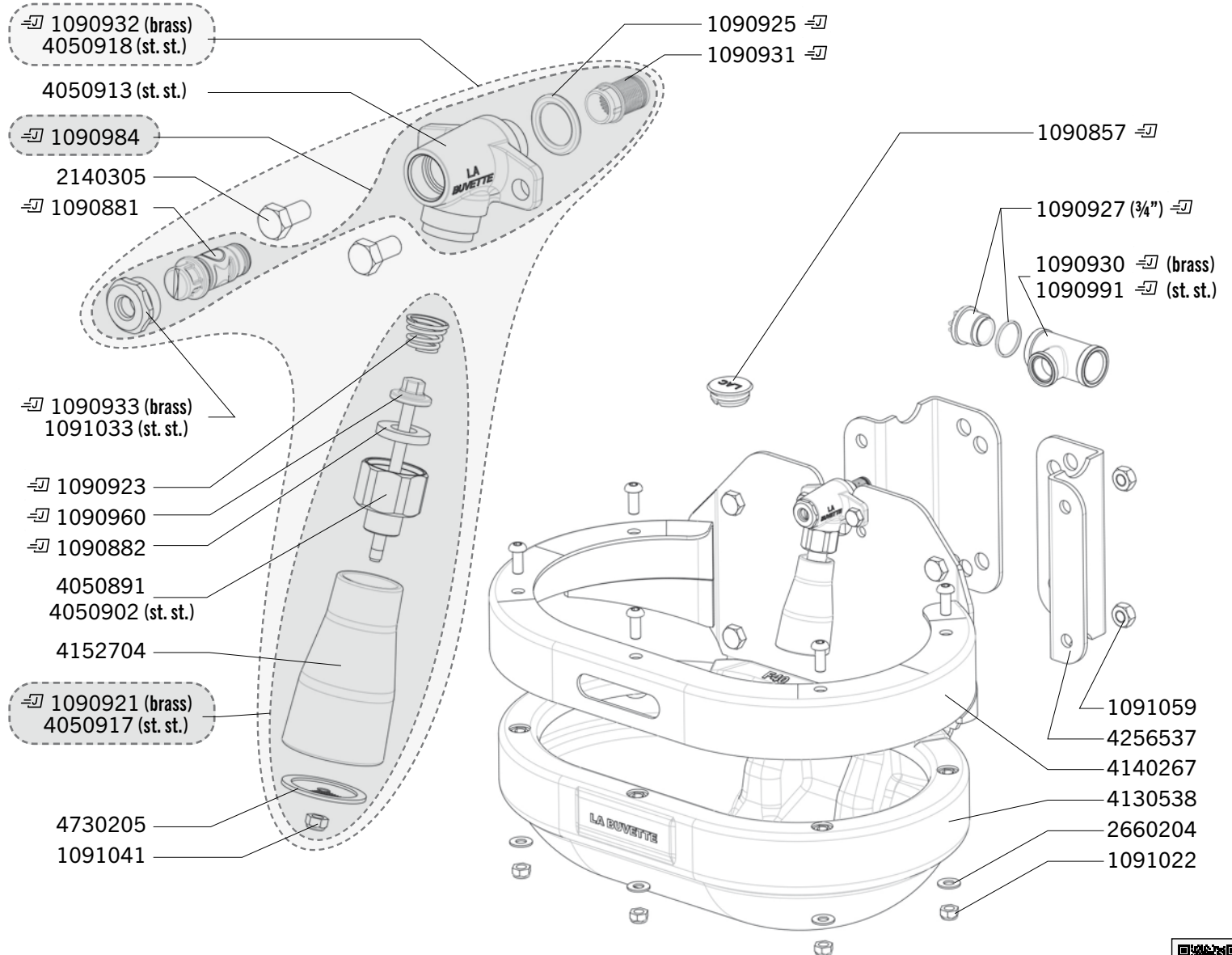


F40

Ref. 3065 - 3066

Ship.	Code	Designation
⇒	1090857	PLUG LAC 5 (X5) BLISTER PACK
⇒	1090881	FLOW ADJUSTMENT SCREW F 30 (X3) BLISTER PACK
⇒	1090882	VALVE SEAL F 30 (X5) BLISTER PACK
⇒	1090921	UNDER PART OF THE VALVE F60 BLISTER PACK
⇒	1090923	5 SPRING F30/60/FORSTAL BLISTER PACK
⇒	1090925	5 O RING BLISTER PACK
⇒	1090927	3 PLUG/WASHER 3/4 " BLISTER PACK
⇒	1090930	T CONNECTION FFF 3/4-1/2-3/4 BRASS BLISTER PACK
⇒	1090931	5 FILTERS F30/60 BLISTER PACK
⇒	1090932	COMPLETE VALVE F60 WITHOUT T BLISTER PACK
⇒	1090933	3 FIXING NUTS FOR ADJUSTMENT SCREW BLISTER PACK
⇒	1090960	VALVE SCHAFT F30/60/110-BLISTER
⇒	1090984	VALVE HEAD-MOUNTED ADJUSTMENT SCREW BLISTER PACK
⇒	1090991	BLISTER WITH 1 3/4" STAINLESS STEEL T-FITTING
J+5	1091022	BAG WITH 10 BLIND NUTS H8
J+5	1091033	5 STAINLESS STEEL PLUGS
J+5	1091041	BAG WITH 10 STAINLESS STEEL BLIND NUTS H5
J+5	1091059	BAG WITH 10 STAINLESS STEEL BLIND NUTS H10
J+5	2140305	SCREW TH 8X25 SSTEEL
J+5	2660204	STEEL WASHERS
J+5	4050891	VALVE SEAT - BRASS
J+5	4050902	UNDER PART OF THE VALVE STAINLESS STEEL
J+5	4050913	STAINLESS STEEL BODY VALVE
J+1	4050917	VALVE UNDERPART F 130
J+1	4050918	VALVE REPAIR KIT F 130
J+5	4130538	F40 BOWL
J+5	4140267	HOT DIPPED GALVANISED PROTECTION EDGE F40
J+1	4152704	PLASTIC PUSH ROD F60
J+5	4256537	FIXING SUPPORT F25/F40
J+5	4730205	JET BREAKER 36 STAINL.STEEL



Shipping time in working days (running out of stock excepted), spare parts tagged with a ⇒ (J) are dispatched the same day if order received before noon and made of parts tagged with ⇒ (J) exclusively.

Digital version up to date:

