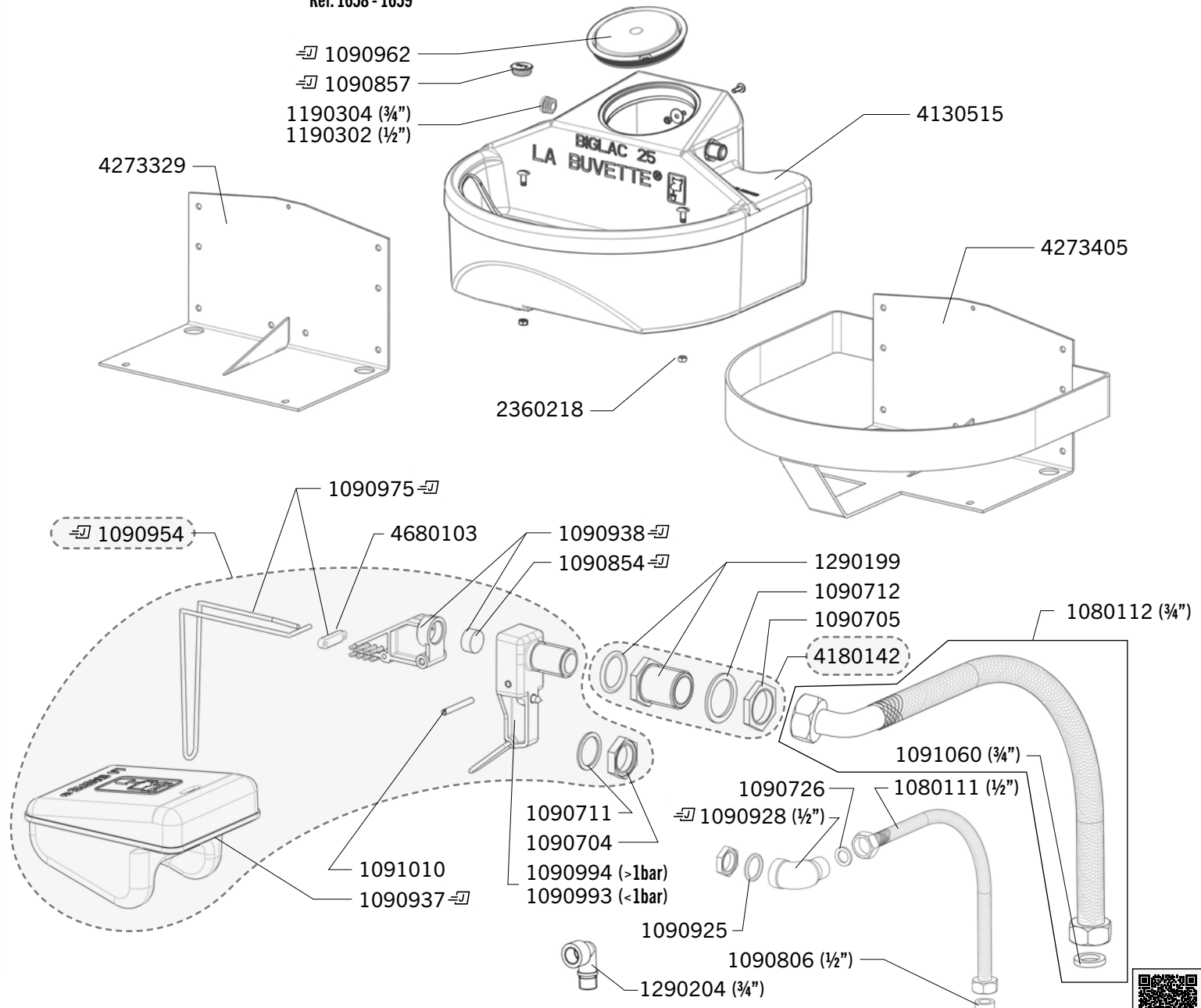


BIGLAC 25 - BIGLAC 25R

Ref. 1658 - 1659

Ship.	Code	Designation
J+1	1080111	FF ½" STAINLESS STEEL BRAIDED HOSE 60CM LG
J+1	1080112	FF ¾" ST. STEEL ELBOW BRAIDED HOSE (NOT SUPPLIED AS STANDARD)
J+5	1090704	10 X NUTS 1/2 GZ
J+5	1090705	10 X BRASS NUTS 3/4 GZ
J+5	1090711	10 X NYLON WASHER 1/2
J+5	1090712	10 X NYLON WASHER 3/4
J+5	1090726	20 X RUBBER
J+5	1090806	BAG OF 10 WASHERS 18,6X6X6
J+5	1090854	VALVE SEAL (X5) BLISTER PACK
J+5	1090857	PLUG LAC 5 (X5) BLISTER PACK
J+5	1090925	5 O RING BLISTER PACK
J+5	1090928	BENT JUNCTION 1/2 GZ BLISTER PACK
J+5	1090937	FLOAT THERMOLAC/PREBAC/BIGLAC BLISTER PACK
J+5	1090938	VALVE BODY BLISTER PACK
J+5	1090954	STD PRESSURE VALVE PREBAC-BLISTER
J+5	1090962	COVER (BLISTER)
J+5	1090975	BLISTER WITH 2 BIG PIN SPRINGS
J+5	1090993	BLISTER WITH 1 JET Ø12 LOW PRESURE (<1 BAR)
J+5	1090994	BLISTER WITH 1 JET Ø7 STANDARD PRESSURE (>1 BAR)
J+5	1091010	5 STAINLESS STEEL AXLES
J+5	1091060	BAG OF 10 FLAT JOINTS 24X15X2
J+5	1190302	Ø22 OBTURATOR VERSION 1/2
J+5	1190304	ROUND WING END Ø30 BLACK
J+1	1290199	BRASS CONNECTION 1/2 F-3/4 M JUMBO VALVES
J+1	1290204	BRASS BENT JUNCTION MF 3/4 (NOT SUPPLIED AS STANDARD)
J+5	2360218	STAINLESSSTEEL NUT H8
J+5	4130515	POLYETHYLENE BOWL BIGLAC 25 MACHINED
J+5	4180142	COMPATIBILITY SET VALVE FROM 1/2 TO 3/4
J+5	4273329	BRACKET BIGLAC 25
J+5	4273405	SUPPORT FOR BIGLAC 25 R
J+5	4680103	PLASTIC HOLDER FOR FLOAT HOLDER



Shipping time in working days (running out of stock excepted), spare parts tagged with a (J) are dispatched the same day if order received before noon and made of parts tagged with (J) exclusively.

Digital version up to date:

